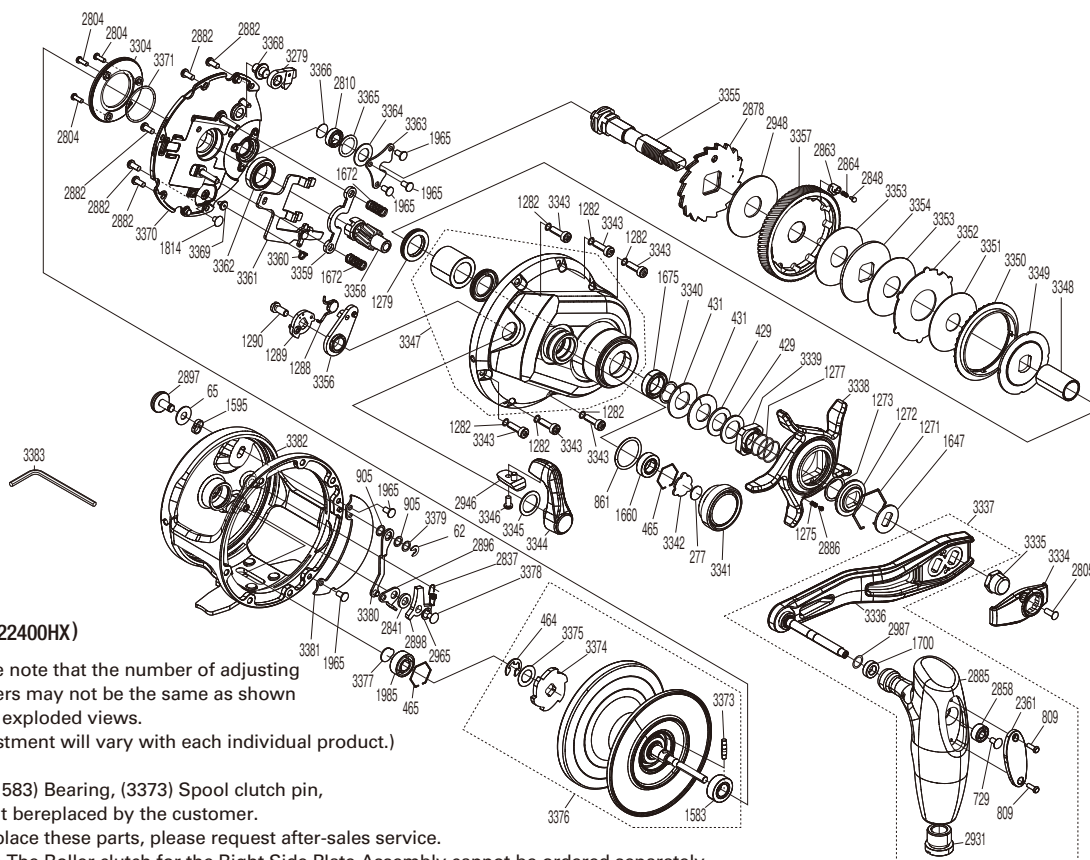


# SHIMANO

## OCEA JIGGER

SA-RB

JG-4000HG



(51RL22400HX)

Please note that the number of adjusting washers may not be the same as shown in the exploded views.  
(Adjustment will vary with each individual product.)

The (1583) Bearing, (3373) Spool clutch pin, cannot be replaced by the customer.  
To replace these parts, please request after-sales service.  
(3347) The Roller clutch for the Right Side Plate Assembly cannot be ordered separately.

| Part No. | Description               | Part No. | Description                   | Part No. | Description                   |
|----------|---------------------------|----------|-------------------------------|----------|-------------------------------|
| TGT0062  | E Lock                    | TGT2837  | Anti-Reverse Pawl Spring      | TGT3349  | Key Washer                    |
| TGT0065  | Spacer                    | TGT2841  | F-Bushing                     | TGT3350  | Drag Click Ratchet            |
| TGT0277  | Cast Control Spacer       | TGT2848  | Drag Click                    | TGT3351  | Drag Washer                   |
| TGT0429  | Star Drag Spacer          | TGT2858  | Ball Bearing                  | TGT3352  | Eared Washer                  |
| TGT0431  | Coned Disc Spring (10H)   | TGT2863  | Drag Click Pin Holder         | TGT3353  | Drag Washer                   |
| TGT0464  | E Lock                    | TGT2864  | Click Spring                  | TGT3354  | Drag Washer                   |
| TGT0465  | Bearing Retainer          | TGT2878  | Anti-Reverse Ratchet Assembly | TGT3355  | Drive Shaft                   |
| TGT0729  | Screw                     | TGT2882  | Screw                         | TGT3356  | Eccentric Cam Bushing         |
| TGT0809  | Screw                     | TGT2885  | Handle Knob                   | TGT3357  | Drive Gear                    |
| TGT0861  | O Ring                    | TGT2886  | Click Pin                     | TGT3358  | Pinion Gear                   |
| TGT0905  | Spacer                    | TGT2896  | F-Anti-Reverse Switch         | TGT3359  | Yoke                          |
| TGT1271  | Click Plate Retainer      | TGT2897  | F-Anti-Reverse Knob           | TGT3360  | Clutch Pawl Spring            |
| TGT1272  | Star Drag Click Plate     | TGT2898  | F-Baitrunner Pawl             | TGT3361  | Clutch Plate Assembly         |
| TGT1273  | Washer                    | TGT2931  | Handle Knob Seal              | TGT3362  | Bushing                       |
| TGT1275  | Click Spring              | TGT2946  | Clutch Lever Protector        | TGT3363  | Drive Shaft Retainer          |
| TGT1277  | Star Drag Spring          | TGT2948  | Drag Washer                   | TGT3364  | Drive Shaft Water Proof Plate |
| TGT1279  | Roller Clutch Water Proof | TGT2965  | Washer                        | TGT3365  | O Ring                        |
| TGT1282  | Washer                    | TGT2987  | Washer                        | TGT3366  | Washer                        |
| TGT1288  | Clutch Spring             | TGT3279  | Anti-Reverse Pawl Assembly    | TGT3368  | Anti-Reverse Pawl Pin         |
| TGT1289  | Clutch Cam Assembly       | TGT3304  | Drainage Plate                | TGT3369  | Clutch Pawl Spring Collar     |
| TGT1290  | Screw                     | TGT3334  | Handle Nut Plate              | TGT3370  | Set Plate                     |
| TGT1583  | Ball Bearing              | TGT3335  | Handle Nut                    | TGT3371  | O Ring                        |
| TGT1595  | Click Switch Cam          | TGT3336  | Handle Shank Assembly         | TGT3373  | Spool Clutch Pin              |
| TGT1647  | Drive Shaft Shield        | TGT3337  | Handle Assembly               | TGT3374  | F-Baitrunner Ratchet          |
| TGT1660  | Ball Bearing              | TGT3338  | Star Drag                     | TGT3375  | Washer                        |
| TGT1672  | Yoke Spring               | TGT3339  | Star Drag Nut                 | TGT3376  | Spool Assembly(With Bearing)  |
| TGT1675  | Ball Bearing              | TGT3340  | Washer                        | TGT3377  | Spacer B                      |
| TGT1700  | Handle Knob Bushing       | TGT3341  | Cast Control Cap              | TGT3378  | Screw                         |
| TGT1814  | Screw                     | TGT3342  | Cast Control Spacer           | TGT3379  | Washer                        |
| TGT1965  | Screw                     | TGT3343  | Screw                         | TGT3380  | F-Anti-Reverse Link Assembly  |
| TGT1985  | Ball Bearing              | TGT3344  | Clutch Lever Unit             | TGT3381  | Set Plate Sticker             |
| TGT2361  | Handle Knob Id Plate      | TGT3345  | Washer                        | TGT3382  | Frame Assembly                |
| TGT2804  | Screw                     | TGT3346  | Screw                         |          |                               |
| TGT2805  | Screw                     | TGT3347  | Right Side Plate Assembly     | TGT3343  | Screw (accessory)             |
| TGT2810  | Ball Bearing              | TGT3348  | Roller Clutch Inner Tube      | TGT3383  | Wrench (accessory)            |